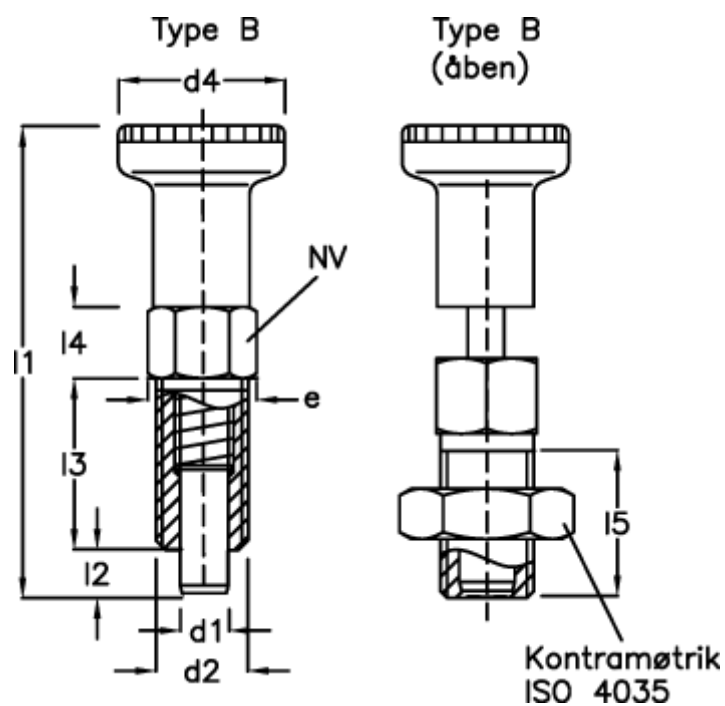


Article number: 201870121

Description: E+G

Indexing plunger GN 717-4-M6-B-NI

Measures



d1 = 4	l5	= 10.0
d2 = M6	NV	= 6
d4 = 12	Spring pressure N bottom	= 12
e = 6.9	Spring pressure N top	= 3
l1 = 30.5		
l2 = 4		
l3 = 12		
l4 = 4.5		